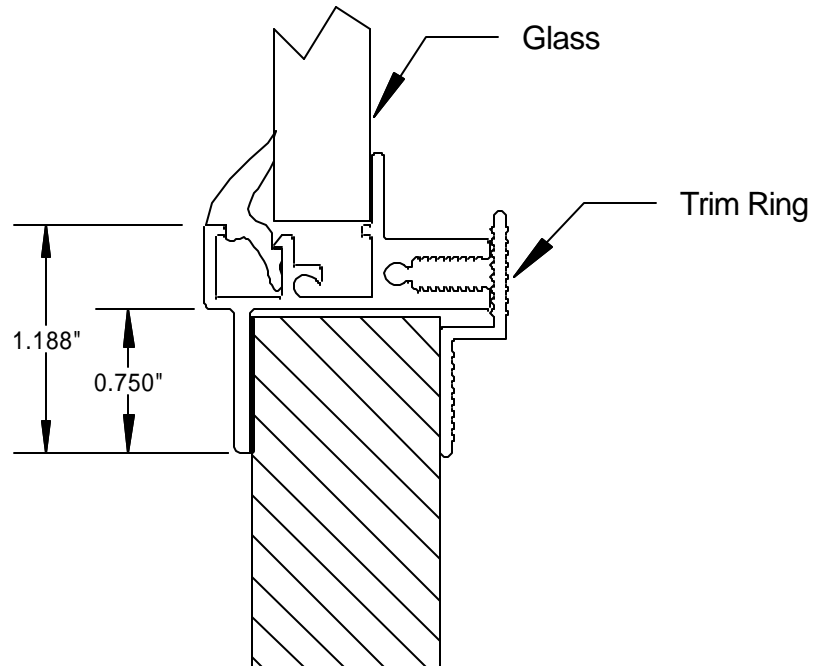


Series 1250 Marine



The Series 1250 is a stationary (fixed) clamp ring window designed specifically for marine applications.

Specifications:

Shapes- Rectangle, Parallelogram, Single Slope, and others

Mounting- Trim Ring

Wall Thickness- 1/8" to 2-1/2"

Radius- 3"

Frame Depth- 1-1/4"

Glass- 3/8" or 1/2" tempered glass

Frame- Anodized Clear (Silver), Anodized Black, or Powder Coat (Black, Grey, or White)